



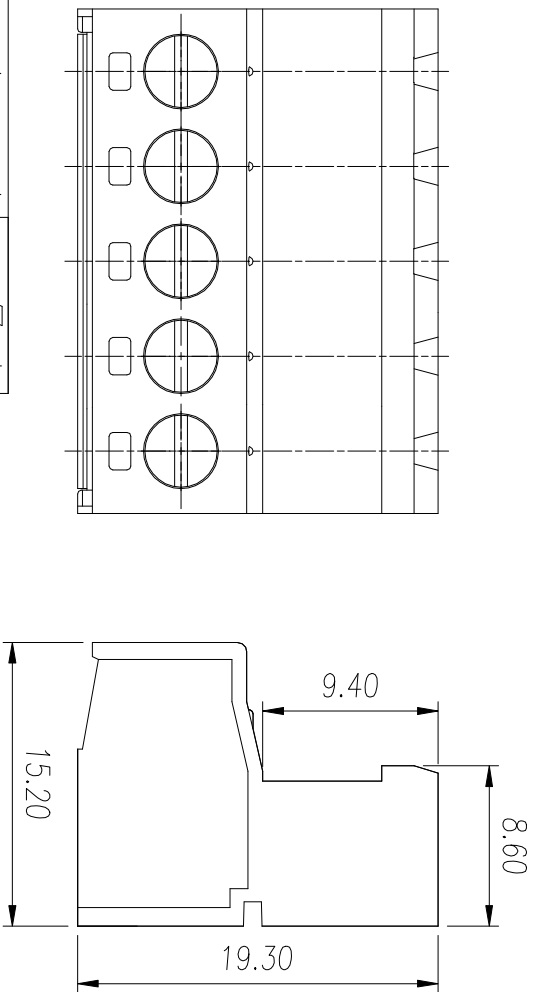
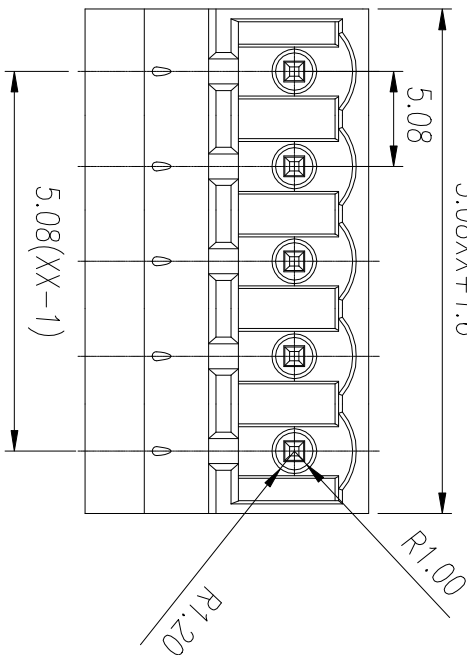
慈溪市万捷电子有限公司

CIXI WANJIE ELECTRONIC CO., LTD

REVISION RECORD

REV.	DESCRIPTION	ECN No.	APPROVED	DATE

5.08XX+1.6



linear dimension(Tolerances Standard GB/T 14486-2008)

tolerance	±0.20	±0.30	±0.50	±0.70	±1.00	±1.30	±1.60	0.10	0.30	0.60
variable range	6 to 10	10 to 30	30 to 60	60 to 100	100 to 160	160 to 100	10 to 100	10 to 100		
tolerance	±0.20	±0.30	±0.50	±0.70	±1.00	±1.30	±1.60	0.10	0.30	0.60



UL/CUL 等级	UL/CUL Use Group	B	C	D

额定电压	Rated Voltage [V]	300	-	300

额定电流	Rated Current [A]	15	-	10

导线范围	Wire Range	28-12

单/多芯线	Solid/Stranded	[AWG]

耐压	Withstanding Voltage	1600V/1Min

IEC 技术参数	IEC Technical Data	IEC61994

过电压类别	Overvoltage Category	III	III	II

污染等级	Contamination Class	3	2	2

额定电压	Rated Voltage [V]	250	320	630

额定电流	Rated Current [A]	12	12	12

额定冲击电压	Impulse withstand voltage [kV]	4.0	4.0	4.0

导线截面	Conductor cross section	0.2-2.5

导线材料	Conductor material	铜合金

绝缘材料	Insulation Material	PA66

阻燃等级	Inflammability	UL94V-0

导体材料	Conductor Material	铜合金

导体表面镀层	Conductive Coating	镀锡

一般参数	Other Data	

间距	Pitch	[mm]	5.08

剥线长度	Stripping Length	[mm]	7-8

螺丝	Screw/Torque	[N.m]	M3.0/5

工作温度	Operating temperature	[°C]	40-105

焊接温度	Soldering temperature	

引脚/尺寸	Pin Dimensions	[mm]

PCB孔径	PCB Hole Diameter	[mm]

单位 / UNITS	mm	尺寸 / SIZE	A4	比例 / SCALE	5:2



慈溪市万捷电子有限公司
CIXI WANJIE ELECTRONIC CO., LTD

名称 / TITLE
WJ2EDGKR-5.08-XXP-1YY-00A

版本 / REV
V0